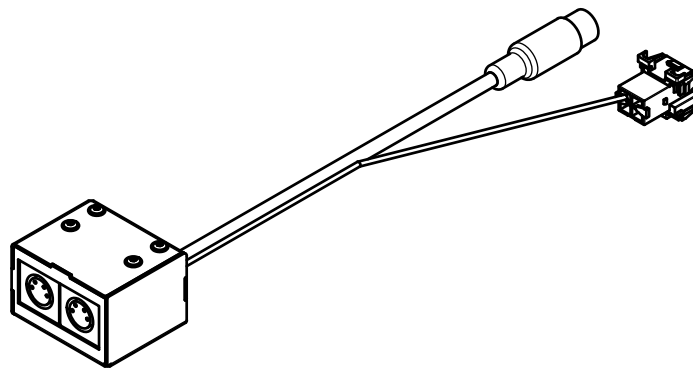


IntegraBus
MMX-210
2 to 1 Microphone Switch



Datasheet
Rev. 01

Table of contents:

1.	Product Overview	2
2.	Electrical Specification	2
3.	System Diagram	2
4.	Functional Description	3
5.	Mechanical Specification	3
6.	Connector Pinouts	5

1. Product Overview

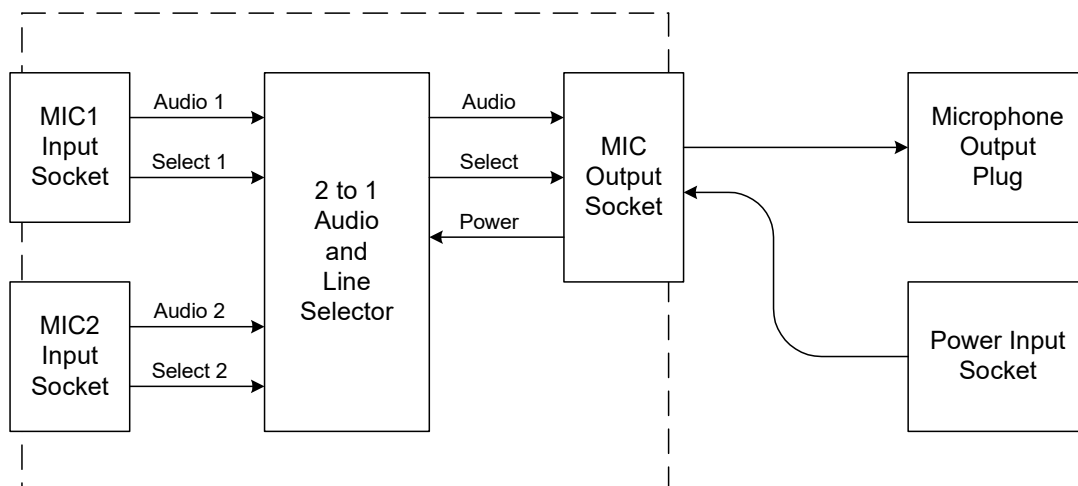
The MMX-210, 2 to 1 microphone switch device is designed for use in buses/coaches. It allows to connect two microphones to one microphone input of the vehicle multimedia system.

The active microphone can be selected by the integrated push to talk switch on microphone housing.

2. Electrical Specification

		Min.	Norm.	Max	
1.	Supply Voltage	16	24	50	V
2.	Operating Temperature	-40		+85	°C
3.	Quiescent Current			0	mA
	- No active microphone			16	
	- Any microphone is active				

3. System Diagram



4. Functional Description

Features:

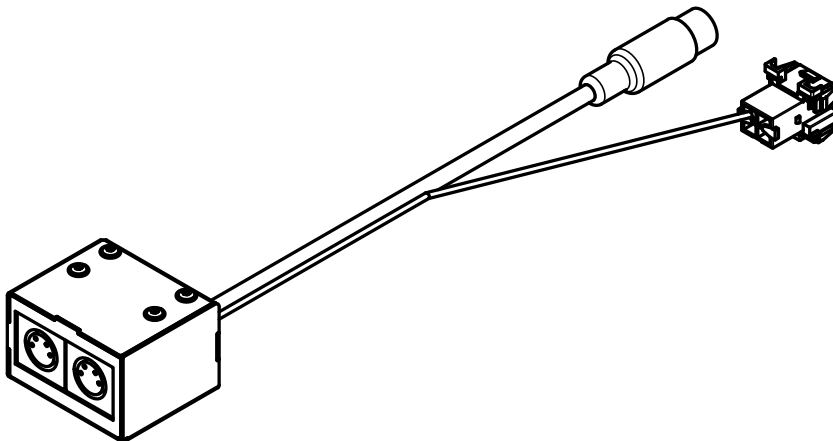
- Two coach microphones can be connected simultaneously.
- Active microphone can be selected by its Push to Talk switch.
- Audio is not mixed, only one microphone can be active in same time.
- Microphone selection logic:

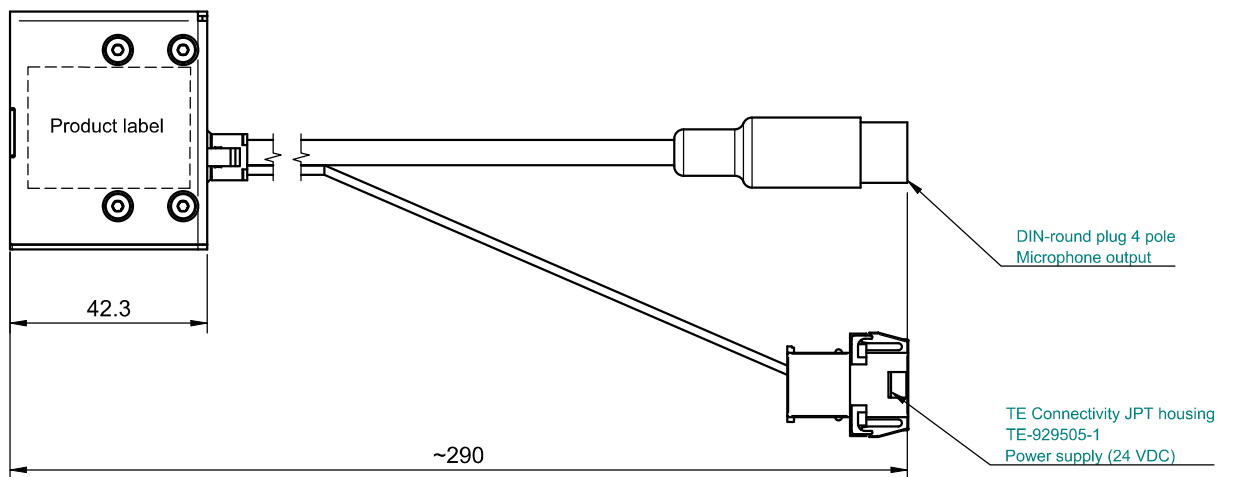
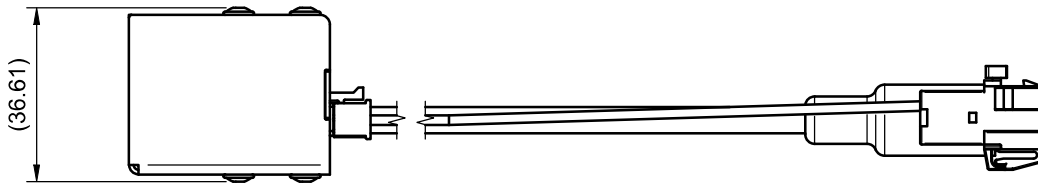
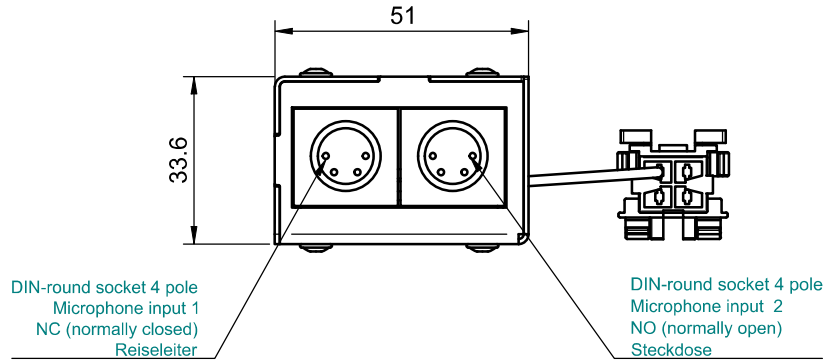
MIC 1 PTT switch	MIC 2 PTT switch	Output
x	On	Connected to MIC 2 input
x	Off	Connected to MIC 1 input

- Automotive environment compatible design.

5. Mechanical Specification

- Metal housing dimensions: 51mm x 33.6m x 42.3mm
- Cable length: 250mm

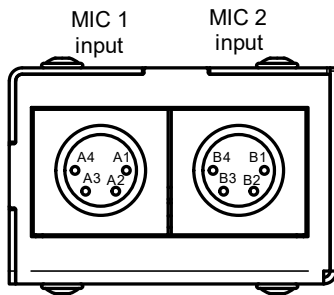




6. Connector Pinouts

Microphone inputs:

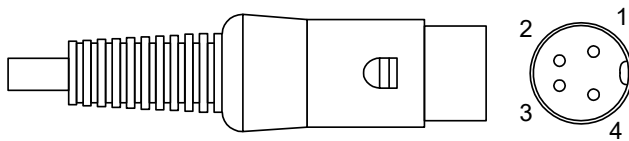
Connector: DIN 4 socket, 216° pins arrangement



A1	MIC 1 Signal
A2	MIC 1 PTT
A3	MIC 1 GND
A4	MIC 1 Signal GND
B1	MIC 2 Signal
B2	MIC 2 PTT
B3	MIC 2 GND
B4	MIC 2 Signal GND

Microphone output:

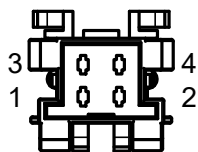
Connector: DIN 4 plug, 216° pins arrangement



1	MIC Signal
2	MIC PTT
3	MIC GND
4	MIC Signal GND

Power input:

Connector: TE JPT housing, 4pins, TE-929505-1



1	Power In (+24V)
2	-
3	-
4	-