

IntegraBus
DMR941
Digital Mirroring device



Datasheet
Rev. 01

Table of contents:

1.	Product Overview	2
2.	Electrical Specification	2
3.	System Diagram	2
4.	Functional Description	3
5.	Certification	3
6.	Mechanical Specification	3
7.	Connector Pinouts	4
8.	Document History	4

1. Product Overview

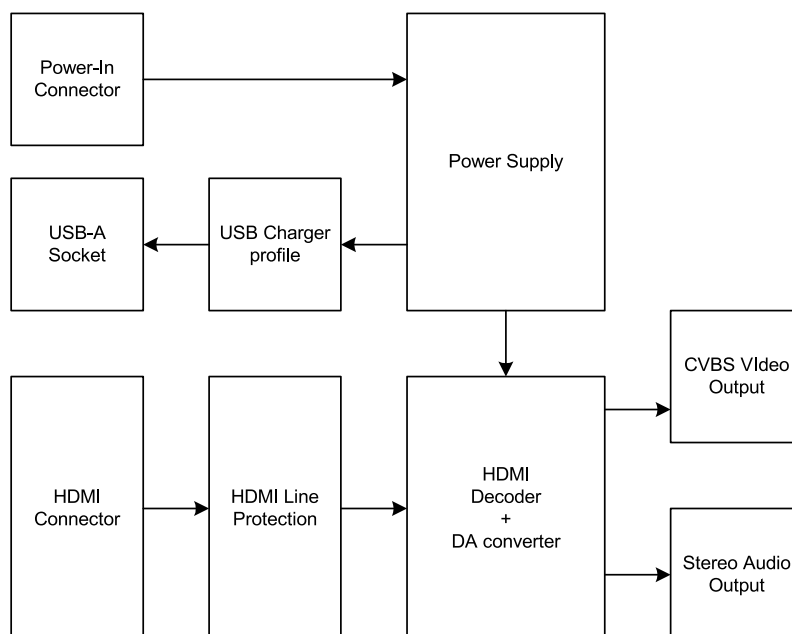
With DMR914 Digital mirroring device, users can display the screen of their mobile devices on the built-in display of the coach. The DMR941 device has HDMI input which is compatible with most modern portable devices or special mirroring interfaces.

The output video and audio format of the DMR941 device fits to the BOSCH video system.

2. Electrical Specification

		Min.	Norm.	Max	
1.	Supply Voltage	10	24	50	V
2.	Operating Temperature	-10		+85	°C
3.	Operating Supply Current @24V		0.5	1	A
4.	USB Output Voltage	4.75	5.00	5.25	V
5.	USB Output Current			2.15	A

3. System Diagram



4. Functional Description

- HDMI digital video conversion to analogue CVBS in PAL format
- Video output resolution: PAL 864 x 625p Interlaced, 50Hz
- HDMI Receiver compliant with HDMI 1.4 specification
- HDMI input resolution max. 1920x1080p
- Integrated EDID Buffer
- HDMI embedded audio conversion to stereo line level outputs
- High power USB-A charging port (5V/2.1A)

- Audio output connectors: RCA
- Video output connector: RCA

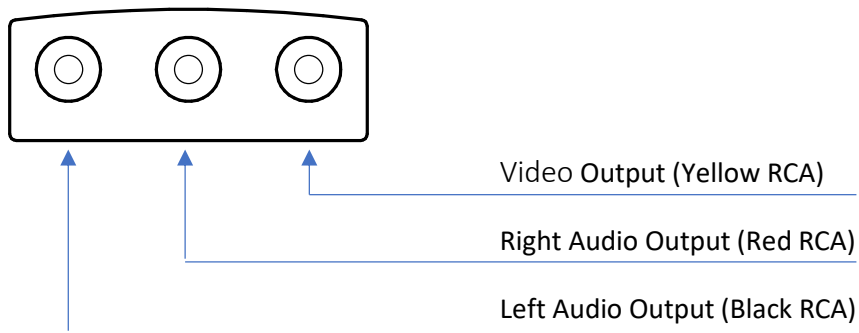
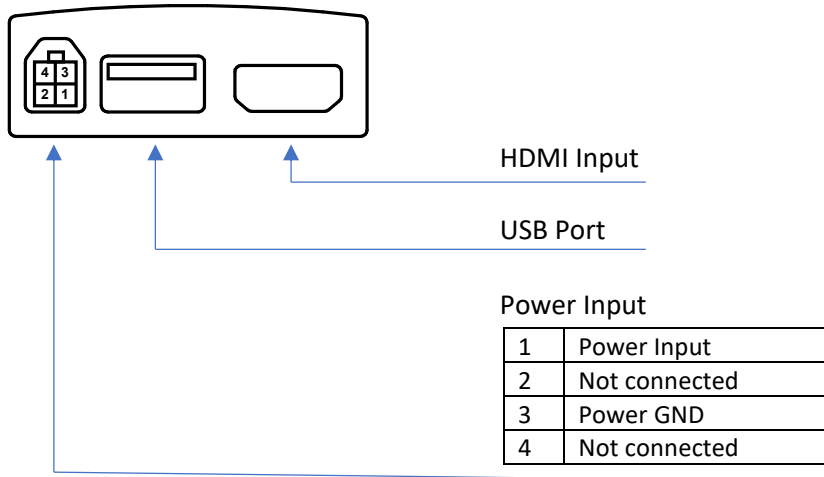
5. Certification

ECE R10 certification:	E-24 10R-041054
ECE R118 certification:	Housing weight is less than 50 g, application of R118 is not necessary on housing, Power cable is R118 certified.

6. Mechanical Specification

- Plastic housing dimensions: 110mm x 20mm x 60mm

7. Connector Pinouts



8. Document History

rev	History	Date	Author
R01	First release	2022.12.03.	epapp