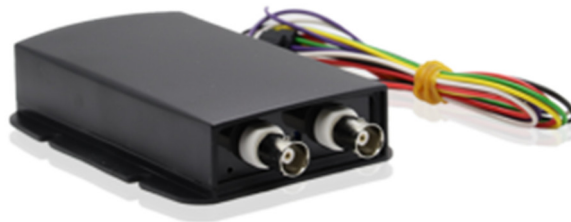


IntegraBus
VMX-310
3 to 1 Video Selector



Datasheet
Rev. 01

Table of contents:

1. Product Overview	2
2. Electrical Specification	2
3. System Diagram	2
4. Functional Description	3
5. Certification	3
6. Mechanical Specification	3
7. Connector Pinouts	4
8. Document History	5

1. Product Overview

The VMX-310 device is designed to be able to select from three different analogue video sources into one input.

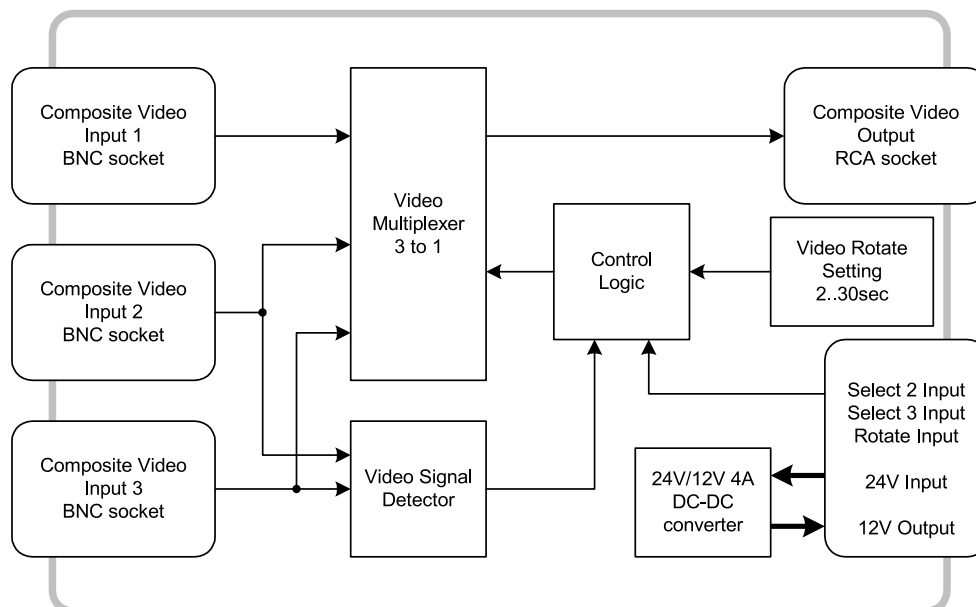
In addition to direct video source selection, the device supports automatic source switching. The time of the shifts can be set manually.

The built-in high-performance DC-DC converter is suitable for direct powering of the installed cameras.

2. Electrical Specification

		Min.	Norm.	Max	
1.	Supply Voltage	10	24	40	V
2.	Operating Temperature	-20		+85	°C
3.	Operating Supply Current @24V		0.5	2	A
4.	Camera Power Output Voltage	11.5	12.0	12.5	V
5.	Camera Power Output Current			3	A

3. System Diagram



4. Functional Description

- 3 composite video inputs
- 1 composite video output
- CVBS Input 1 is default connected to Output. The connection is also active when there is no power voltage on device,
- 2 Direct select inputs for selecting CVBS Input 2 or CVBS Input 3
- 1 Rotating select input. If rotation mode is selected, all active inputs are connected to the output one after the other. The period of input shift can be set manually for 2 to 30 seconds.
- Priority of input selection:

Select IN2	Select IN3	Select Rotate	Output
Active	x	x	CVBS 2 is connected to Output
Inactive	Active	x	CVBS 3 is connected to Output
Inactive	Inactive	Active	All active inputs are connected to Output one after other
Inactive	Inactive	Inactive	CVBS 1 is connected to Output

- High or Low polarity of selection lines can be configured on board with jumpers.
- Signal detector on CVBS 2 and CVBS 3 inputs.
- Input state indication signals

LED off	No input signal
LED blinking light	Video signal detected on input
LED solid light	CVBS input is connected to output

- Video Input connectors: BNC
- Video Output connector: RCA

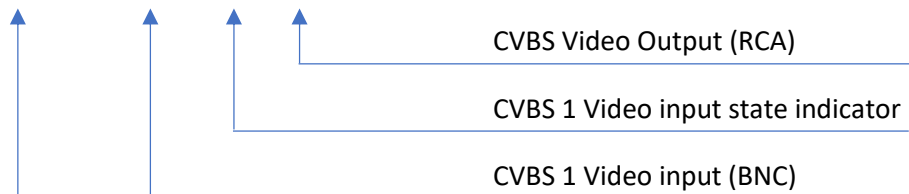
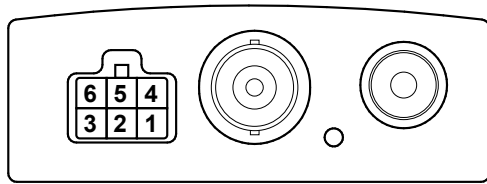
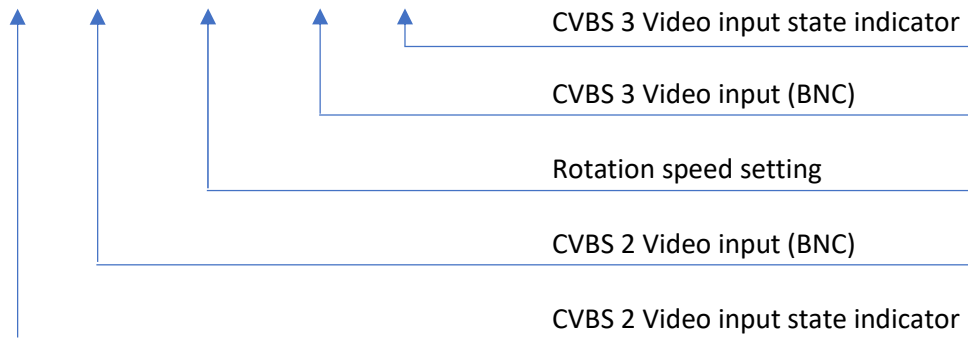
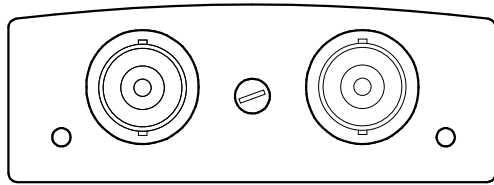
5. Certification

ECE R118 certification: Housing weight is less than 50 g, application of R118 is not necessary on housing,
 Power cable is R118 certified.

6. Mechanical Specification

- Plastic housing dimensions: 110mm x 20mm x 60mm

7. Connector Pinouts



Power/Select Port

1	Camera Power Output
2	Power GND
3	Power Input
4	Select Rotate mode Input
5	Select CVBS 2 Input
6	Select CVBS 3 Input



8. Document History

rev	History	Date	Author
R01	First release	2023.10.03.	epapp